

ARI STAB



COMFORT

- High V40

EFFICIENCY&ENERGY SAVING

- Ecological polyurethane insulation

QUALITY

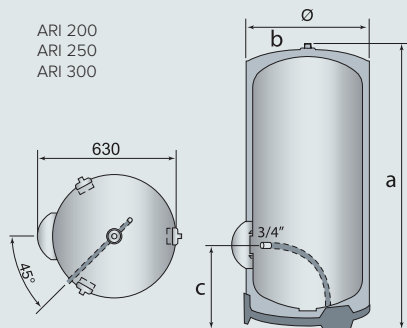
- Titanium glasslined inner tank tested at 12 bar
- Oversize magnesium anode
- 6-bolts flange
- Pressure safety valve rated at 6 bar

DESIGN

- Exclusive Italian design
- Floor Standing

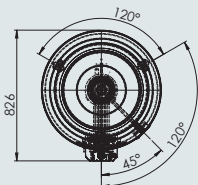
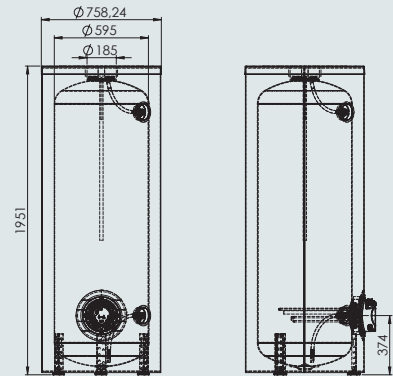


floor standing



ARI 200
ARI 250
ARI 300

TI STI



LEGEND
E Cold water inlet G 1"
U Hot water outlet G 1"

TECHNICAL DATA		ARI 200 STAB	ARI 250 STAB	ARI 300 STAB	TI STI 500 EU2
Nominal Capacity	L	200	250	300	500
Power	kW	3.0	3.0	3.0	6.0
Voltage	V	230/400	230	230/400	230
Heating time (ΔT= 45°C)	h.min	4.26	5.00	5.54	3.50
Max. Working Temp.	°C	70	70	70	90
Heat dispersion	kWh/24h	1.88	2.17	2.6	-
Max. Working Pressure	bar	6	6	6	6
Protection	IP	IP25D	IP25D	IP25D	IP24
Weight	kg	50	61	71	107
OVERALL DIMENSIONS					
a	mm	1300	1560	1820	1951
b	mm	570	570	570	595
c	mm	365	365	365	374

CODE (UAE)	3010911	3010912
CODE		
Without Safety Valve - 230V	3000595	3000596
With Safety Valve - 230V	3000618	3000619
With Safety Valve - 230/400V	3000620	3010871

NOTE: The Nominal capacity listed in this catalogue identifies the product category. The actual product capacity is listed in the relative technical documentation.